

7-Slot Media Converter Chassis



High Density Chassis for multiple converter installation

The MC-700 provides 7 slots in the 10"-rack which save more spaces for fiber-optic wiring yet eases the maintenance of media conversion. It allows the connectivity of up to seven PLANET Ethernet, Fast Ethernet, Gigabit Ethernet or VDSL2 Converters in one chassis. One fan is built in for system cooling and its status can be watched by the LED indicators in the MC-700.

Plug and Play / Flexible Installation

The MC-700 offers flexible and scalable solution for media converter installation. There is an independent power supply in each slot of the MC-700, so that any converter is hot-swappable without causing interruption to other converters. The media converters can be plugged and played anytime. Each bay of the MC-700 can be populated with any of PLANET's Media Converter series, the FT, GT, VC-20x and ICS series Media Converter to provide media conversion between fiber optical, phone wire and serial to copper lines.

KEY FEATURES

HARDWARE

- High quality 10" Rack-Mountable Chassis installation
- Enables the Converters be Plug and Play
- Supports up to seven hot-swappable Media Converters
- One fan built-in for hardware cooling
- Reduces the effort of converter maintenance and management and can diagnose the status of converters at one time

POWER SYSTEM

- 100~240V AC power supply
- Power isolation in each bay
- Power protection from over voltage, over current and short circuit

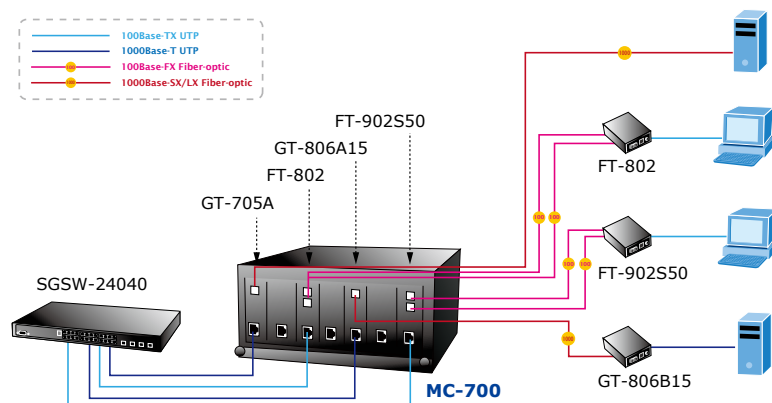
COMPATIBILITY

- Supports the PLANET Fast Ethernet, Gigabit Ethernet Media Converter series: FT-80x / FT-90x and GT-70x / GT-80x / GT-90x
- Supports VDSL2 Media Converter: VC-201 / VC-201A / VC-202
- Supports Serial over Ethernet Converter: ICS-10x series

APPLICATIONS

Centralized Media Converter Management

The PLANET MC-700 provides advanced Media conversion technology afforded to fill the demand of current network growing and expanding. The Media Converter chassis allows installation of up to seven PLANET FT-8 / GT-7 / GT-8 / GT-9 series Fast / Gigabit Ethernet Media converters with diverse options of fiber connect type to fit in different network applications. It is very flexible for FT-8 / GT-7 / GT-8 / GT-9 series being installed in the MC-700 for centralized power feeding and media conversion management.



SPECIFICATION

Product	7-Slot Media Converter Chassis
Model	MC-700
Dimension (W x D x H)	217 x 140 x 88.5 mm (W x H x D) , 2U height
Converter slots	7 slots
Power Input	100~240V AC, 50/60Hz
Power Consumption	40 Watts maximum / 136BTU
Power Output per slot	+5V DC
DC Plug per slot	2.5 mm DC receptacle
LED indication	2; Power, FAN
FAN	1
Temperature	Operating: 0~50 Degree C Storage: -40~70 Degree C
Humidity	Operating: 5~90% non-condensing Storage: 5~90% non-condensing
Emission	FCC Part 15 Class A, CE

ORDERING INFORMATION

MC-700	10-inch Media Converter Chassis with 7 Slots
---------------	--

RELATED PRODUCTS

Fast Ethernet Media Converter	
FT-80x	10/100Base-TX to 100Base-FX Bridge Media Converters
FT-90x	10/100Base-TX to 100Base-FX Web Smart Media Converter
Gigabit Ethernet Media Converter	
GT-70x	1000Base-T to 1000Base-SX/LX Gigabit Media Converter
GT-80x	10/100/1000Base-T to 1000Base-SX / LX Gigabit Media Converter
GT-90x	Managed Gigabit Ethernet Media Converter
Ethernet over VDSL2 Converter	
VC-201	Ethernet over VDSL2 Converter
VC-201A	Ethernet over VDSL2 Converter
VC-202	Ethernet over VDSL2 Converter – Coaxial
Serial over Ethernet Converter	
ICS-100	RS-232 / RS-422 / RS-485 over Fast Ethernet Media Converter
ICS-102	RS-232 / RS-422 / RS-485 over Fast Ethernet Media Converter